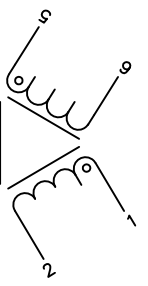


The information contained in this drawing is the sole property of Coil Winding Specialist Inc. (CWSI). Any reproduction in part or whole without written permission of CWSI is prohibited.

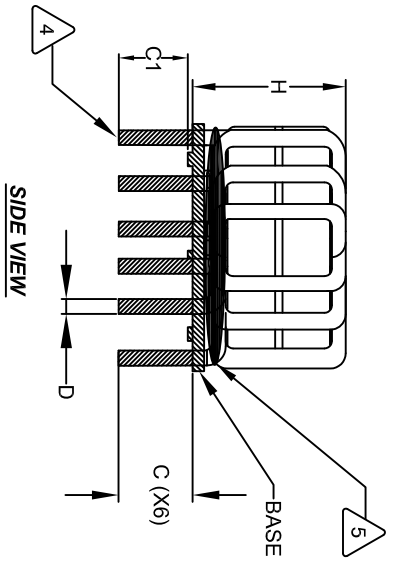


SCHEMATIC

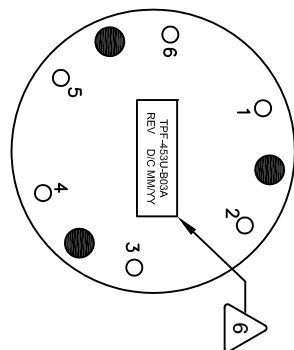
DIMENSIONAL TOLERANCE INCHES [MM]				
L(OD) Max	H(HGT) Max	C(LEAD) Min	C1(LEAD) TYP	D(LEAD) TYP
1.10 [27.80]	0.70 [17.80]	0.50 [12.70]	0.58 [14.80]	0.03 [0.70]

REVISION HISTORY		SIGN & DATE	
REV	ECN	DATE	DATE
A		01/22/2020	01/22/2020

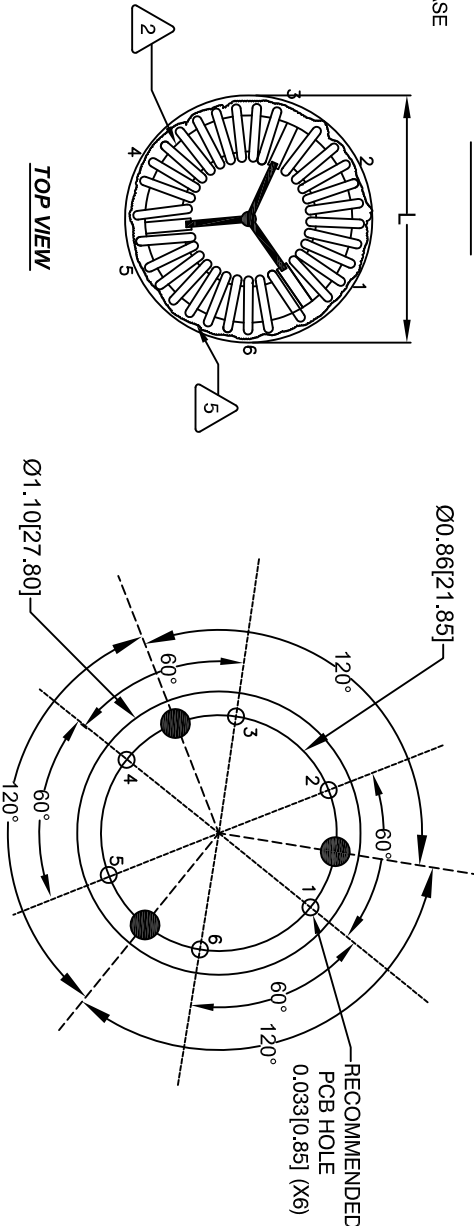
DESCRIPTION		SIGN & DATE	
BR	DATE	CHK	DATE
TN	01/22/2020	JL	01/22/2020



SIDE VIEW



BOTTOM VIEW



TOP VIEW

MOUNTING HOLES PATTERN (TOP VIEW)

- 1 CASE RATING CLASS B (130°C) REQUIRED
MATERIAL: UL RECOGNIZED FOR FLAMMABILITY
- 2 WIRE: UL RECOGNIZED 200°C RATED MAGNET WIRE
CWS BYTEMARK OR OTHER APPROVED PART
CORE: NANOCRYSTALLINE OR AMORPHOUS CORE
- 3 SPECIFICATIONS AT 25°C:
WEIGHT = 23 GRAMS TYP
OPERATING TEMP RANGE = -40°C TO 125°C
MAX TEMP RISE = 30°C
INTERWINDING ISOLATION = 2000 VOLTS RMS
DCR ON EACH WINDING = 53mΩ MAX
SRF = 247KHZ TYPICAL
RATED VOLTAGE = 1000 VAC OR VDC
RATED CURRENT = 3 AMPS
LEAKAGE INDUCTANCE = 21uH TYP @ 10KHZ, 0.25 Vrms
INTERWINDING CAPACITANCE = 21pF TYP @ SRF
IMPEDANCE = 14.46kΩ TYPICAL @ SRF
L = 45mH±15% @ 1 KHZ, 0.25 Vrms, 0 ADC

NOTES: UNLESS OTHERWISE SPECIFIED, READ NOTES FROM BOTTOM TO TOP.
CAGE CODE: 5DME2

UNLESS OTHERWISE SPECIFIED		AUTOCAD	
DIMENSIONING AND TOLERANCE PER ANSI Y14.5M AND [UNITS/INCHES]	DRWN	DATE	X
TOLERANCE INCHES: $\pm .0005$ TOLERANCE METERS: $\pm .0127$ ANGLE PROJECTION: $\phi = +0.30^\circ$	TN	01/22/2020	
DO NOT SCALE DRAWING	JL	01/22/2020	

www.coliws.com
353 West Grove Ave
Orange, California, 92665
sales@coliws.com

Coil Winding Specialist Inc.
Nanocrystalline Inductor
Three-Phase Common Mode Choke
Horizontal Mount

SIZE	DRG. NO.	REV
B	TPF-453U-B03A	A